

## Description

Centric butterfly valve with elastomer liner for liquids and gases in the industrial range, general services, water treatment, ...

## Product features

- Body construction D1 Wafer DN 25-800  
D3 Lug DN 25-400  
D4 U-section DN 150-1600
- Face to face dimension according to ISO 5752/20, EN 558-1/20
- Top flange according to EN ISO 5211
- Max. working pressure 16 bar
- Rating PN6, PN10, PN16, ANSI cl. 150
- Temperature range Standard  $-10^{\circ}\text{C} + 95^{\circ}\text{C}$  with EPDM liner, max.  $-10^{\circ}\text{C} + 200^{\circ}\text{C}$  according to material, other temperatures on request
- Tightness test according to EN 12266-1/P12 leakage rate A, test fluid water



The butterfly valves DESPONIA meet the safety requirements of the pressure Equipments Directive 97/23/EC (PED) appendix 1 for fluids of the groups 1 and 2.



**D1  
Wafer**



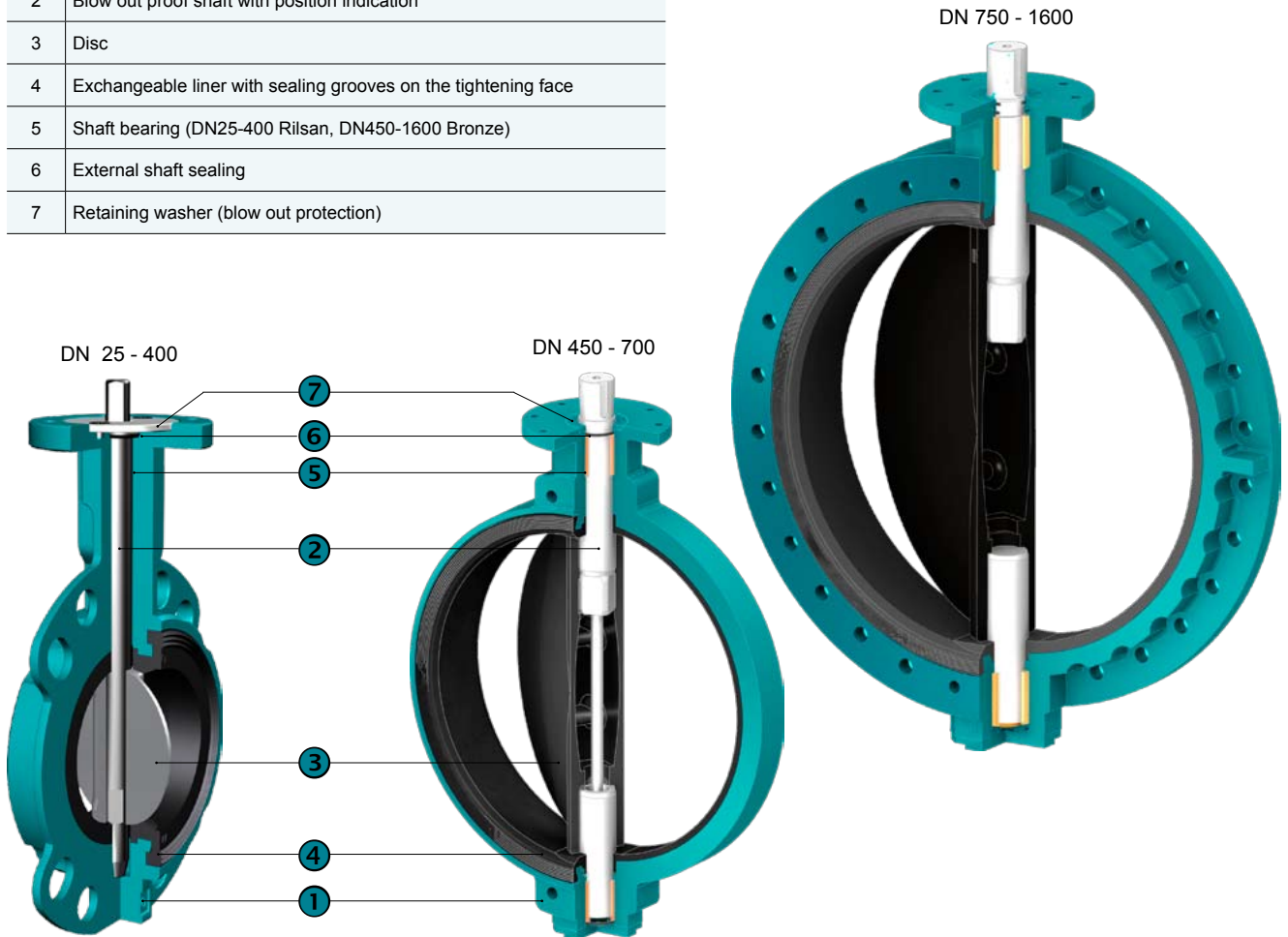
**D3  
Lug**



**D4  
U-section**

**Construction**

|   |  |
|---|--|
| 1 | Body (extended valve neck allowing insulation)                 |
| 2 | Blow out proof shaft with position indication                  |
| 3 | Disc   |
| 4 | Exchangeable liner with sealing grooves on the tightening face |
| 5 | Shaft bearing (DN25-400 Rilsan, DN450-1600 Bronze)             |
| 6 | External shaft sealing   |
| 7 | Retaining washer (blow out protection)                         |



**Kv values m<sup>3</sup>/h**

|           |       |       |       |       |       |       |       |       |        |        |        |      |
|-----------|-------|-------|-------|-------|-------|-------|-------|-------|--------|--------|--------|------|
| <b>DN</b> | 25/32 | 40    | 50    | 65    | 80    | 100   | 125   | 150   | 200    | 250    | 300    | 350  |
| <b>kv</b> | 40    | 50    | 100   | 210   | 360   | 650   | 1050  | 1770  | 3400   | 5090   | 7360   | 9800 |
| <b>DN</b> | 400   | 450   | 500   | 600   | 700   | 800   | 900   | 1000  | 1200   | 1400   | 1600   |      |
| <b>kv</b> | 12900 | 16800 | 21700 | 29800 | 35100 | 45900 | 59300 | 82100 | 102700 | 170000 | 225000 |      |

**When mounting the valve at the end of a line please note:**

|  |  |
|--|--|
| - <b>Body type</b>                                   | D3 possible without counter flange<br>D4 only with counter flange  |
| - <b>Body material</b>                               | 2A (EN-GJS-400-15)   |
| - <b>Medium</b>                                      | only for liquids, 10÷30°C  |
| - <b>Max. working pressure</b><br>(with 16 bar disc) | DN25-200      10 bar<br>DN250-600    6 bar<br>DN700-1400   2,5 bar |

- no water hammer !!!

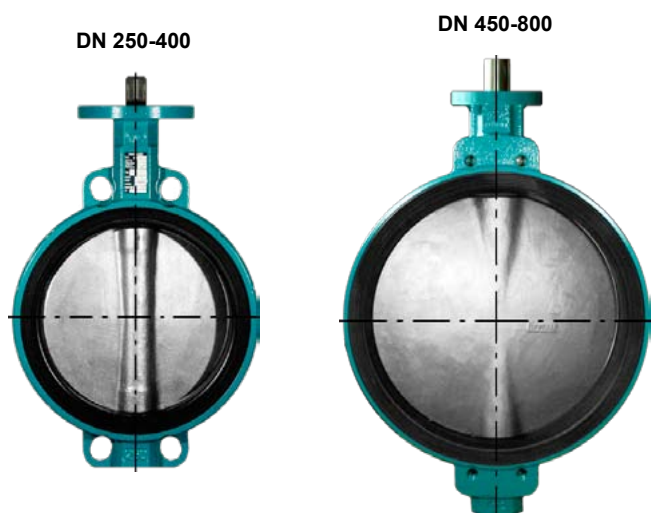
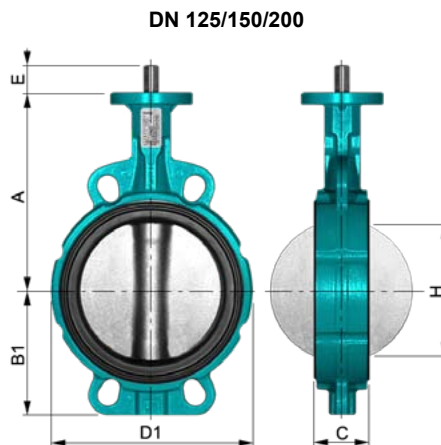
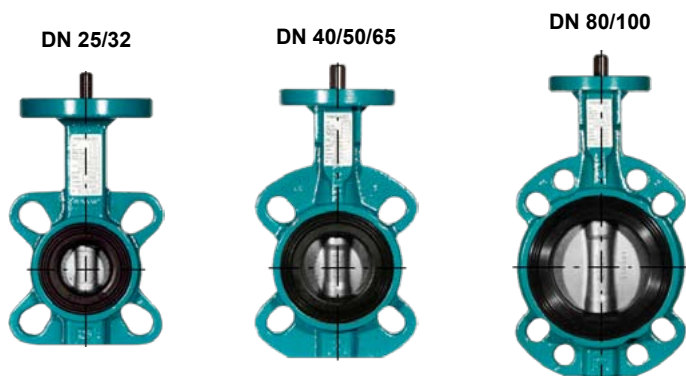
please consult our document "Flanges"





## Dimensions

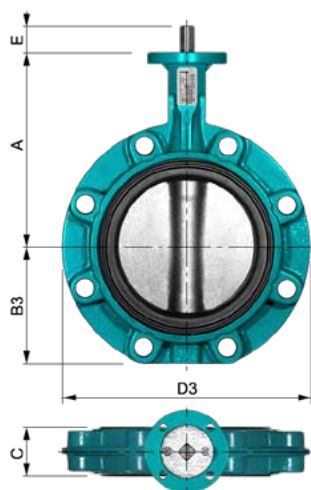
### D1 Wafer, DN25-800



| DN     | A   | B1  | C   | D1  | E  | H*    | [kg] |
|--------|-----|-----|-----|-----|----|-------|------|
| (25)32 | 110 | 50  | 30  | 72  | 19 | 17,0  | 1,4  |
| 40     | 130 | 60  | 33  | 86  | 19 | 27,0  | 2,0  |
| 50     | 135 | 72  | 43  | 101 | 19 | 30,0  | 3,0  |
| 65     | 150 | 82  | 46  | 121 | 19 | 49,0  | 3,6  |
| 80     | 160 | 92  | 46  | 138 | 19 | 68,5  | 4,0  |
| 100    | 180 | 102 | 52  | 160 | 19 | 88,5  | 5,5  |
| 125    | 195 | 120 | 56  | 189 | 19 | 114,5 | 7,5  |
| 150    | 210 | 133 | 56  | 214 | 19 | 142,0 | 8,6  |
| 200    | 240 | 163 | 60  | 272 | 25 | 193,5 | 12,7 |
| 250    | 280 | 196 | 68  | 324 | 32 | 243,5 | 22,2 |
| 300    | 315 | 232 | 78  | 378 | 32 | 292,5 | 30,8 |
| 350    | 330 | 257 | 78  | 425 | 40 | 329,5 | 41,5 |
| 400    | 365 | 292 | 102 | 475 | 40 | 375,5 | 57,2 |
| 450    | 400 | 359 | 114 | 538 | 65 | 426   | 95,0 |
| 500    | 440 | 397 | 127 | 595 | 65 | 477   | 125  |
| 600    | 525 | 467 | 154 | 695 | 80 | 572   | 180  |
| 700    | 565 | 518 | 165 | 800 | 80 | 663   | 280  |
| 800    | 632 | 562 | 190 | 908 | 80 | 780   | 387  |

\* When using plastic stubs please check dimension H to avoid damaging of disc

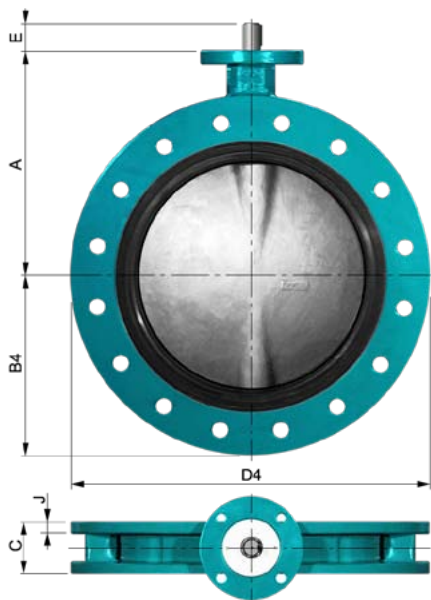
### D3 Lug body, DN 25-400



| DN  | A   | B3  | C   | D3  | E  | H*    | [kg] |
|-----|-----|-----|-----|-----|----|-------|------|
| 25  | 110 | 50  | 30  | 72  | 19 | 17,0  | 1,4  |
| 32  | 110 | 50  | 30  | 72  | 19 | 17,0  | 1,4  |
| 40  | 130 | 60  | 33  | 86  | 19 | 27,0  | 2,0  |
| 50  | 135 | 72  | 43  | 117 | 19 | 30,0  | 3,2  |
| 65  | 150 | 82  | 46  | 130 | 19 | 49,0  | 4,0  |
| 80  | 160 | 88  | 46  | 188 | 19 | 68,5  | 6,1  |
| 100 | 180 | 102 | 52  | 219 | 19 | 88,5  | 8,5  |
| 125 | 195 | 116 | 56  | 248 | 19 | 114,5 | 10,0 |
| 150 | 210 | 128 | 56  | 274 | 19 | 142,0 | 11,0 |
| 200 | 240 | 161 | 60  | 332 | 25 | 193,5 | 19,6 |
| 250 | 280 | 199 | 68  | 402 | 32 | 243,5 | 28,7 |
| 300 | 315 | 234 | 78  | 472 | 32 | 292,5 | 41,2 |
| 350 | 330 | 258 | 78  | 520 | 40 | 329,5 | 55,0 |
| 400 | 365 | 290 | 102 | 584 | 40 | 375,5 | 75,0 |

## Dimensions

### D4 U-section body, DN 150-1600

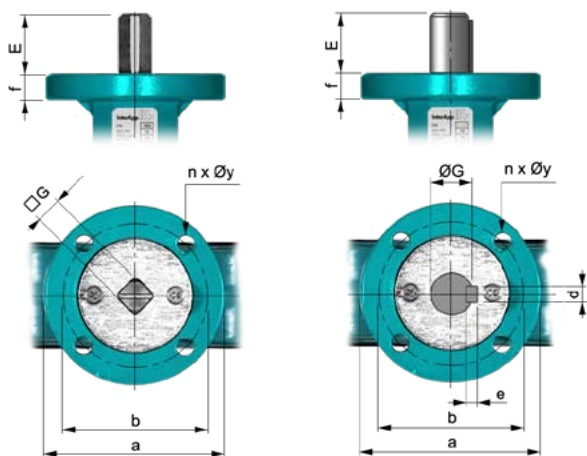


| DN     | A    | B4   | C   | D4   | H*    | J    | E   | [kg] |
|--------|------|------|-----|------|-------|------|-----|------|
| 150    | 210  | 143  | 56  | 285  | 142,0 | 10,0 | 19  | 15,0 |
| 200    | 240  | 170  | 60  | 340  | 193,5 | 12,5 | 25  | 19,5 |
| 250    | 280  | 200  | 68  | 406  | 243,5 | 15,0 | 32  | 30,5 |
| 300    | 315  | 239  | 78  | 482  | 292,5 | 15,0 | 32  | 44,0 |
| 350    | 330  | 265  | 78  | 533  | 329,5 | 18,0 | 40  | 59,0 |
| 400    | 365  | 296  | 102 | 596  | 375,5 | 20,0 | 40  | 82,0 |
| 450    | 400  | 359  | 114 | 640  | 426   | 24,0 | 65  | 118  |
| 500    | 440  | 397  | 127 | 715  | 477   | 26,0 | 65  | 175  |
| 600    | 525  | 467  | 154 | 840  | 572   | 28,5 | 80  | 260  |
| 700    | 565  | 503  | 165 | 927  | 663   | 31,5 | 80  | 345  |
| (750)  | 590  | 541  | 170 | 985  | 712   | 34,0 | 80  | 435  |
| 800    | 630  | 580  | 190 | 1060 | 780   | 36,5 | 80  | 510  |
| 900    | 695  | 650  | 203 | 1170 | 855   | 38,0 | 100 | 660  |
| 1000   | 748  | 696  | 216 | 1255 | 960   | 44,0 | 100 | 790  |
| (1100) | 768  | 738  | 218 | 1340 | 1055  | 44,0 | 100 | 850  |
| 1200   | 882  | 809  | 254 | 1485 | 1150  | 47,0 | 120 | 1180 |
| 1400   | 990  | 938  | 280 | 1680 | 1340  | 40,0 | 120 | 1700 |
| 1600   | 1117 | 1018 | 318 | 1924 | 1550  | 50,0 | 155 | 2600 |

### Top flange according to ISO 5211

DN 25-400

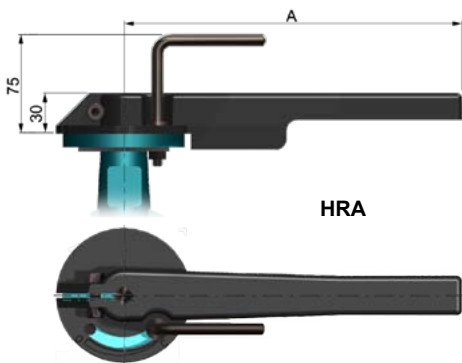
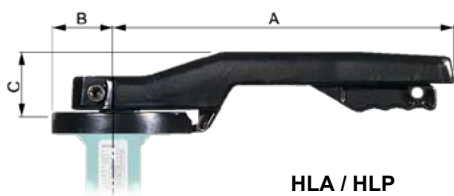
DN 450-1600



| DN      | E   | G     | d  | e  | f  | ISO     | a   | b       | n x Øy          |
|---------|-----|-------|----|----|----|---------|-----|---------|-----------------|
| 25-40   | 19  | □ 8   | -  | -  | 12 | F07     | 90  | 70      | 4 x 9           |
| 50-100  | 19  | □ 11  | -  | -  | 12 | F07     | 90  | 70      | 4 x 9           |
| 125-150 | 19  | □ 14  | -  | -  | 12 | F07     | 90  | 70      | 4 x 9           |
| 200     | 25  | □ 17  | -  | -  | 12 | F07     | 90  | 70      | 4 x 9           |
| 250-300 | 32  | □ 22  | -  | -  | 18 | F10/F12 | 155 | 102/125 | 4 x 10 / 4 x 13 |
| 350     | 40  | □ 22  | -  | -  | 18 | F12     | 155 | 125     | 4 x 13          |
| 400     | 40  | □ 27  | -  | -  | 18 | F12     | 155 | 125     | 4 x 13          |
| 450-500 | 65  | Ø 45  | 14 | 9  | 25 | F14     | 175 | 140     | 4 x 18          |
| 600     | 80  | Ø 70  | 20 | 12 | 25 | F16     | 220 | 165     | 4 x 22          |
| 700     | 80  | Ø 70  | 20 | 12 | 25 | F25     | 300 | 254     | 8 x 18          |
| (750)   | 80  | Ø 70  | 20 | 12 | 30 | F25     | 300 | 254     | 8 x 18          |
| 800     | 80  | Ø 70  | 20 | 12 | 30 | F25     | 300 | 254     | 8 x 18          |
| 900     | 100 | Ø 80  | 22 | 14 | 30 | F30     | 350 | 298     | 8 x 22          |
| 1000    | 100 | Ø 80  | 22 | 14 | 30 | F30     | 350 | 298     | 8 x 22          |
| (1100)  | 100 | Ø 80  | 22 | 14 | 30 | F30     | 350 | 298     | 8 x 22          |
| 1200    | 120 | Ø 100 | 28 | 16 | 30 | F30     | 350 | 298     | 8 x 22          |
| 1400    | 120 | Ø 120 | 32 | 18 | 35 | F30     | 350 | 298     | 8 x 22          |
| 1600    | 155 | Ø 130 | 32 | 18 | 40 | F35     | 418 | 356     | 8 x 33,5        |

## Dimensions

### Handlever (DN25-300)



Aluminium, Epoxy coated

| DN      |                      | A   | B    | C  | [kg] |
|---------|----------------------|-----|------|----|------|
| 25-40   | <b>HLA.F0708.180</b> | 180 | 45,5 | 41 | 0,4  |
| 50-65   | <b>HLA.F0711.180</b> | 180 | 45,5 | 41 | 0,4  |
| 80-100  | <b>HLA.F0711.240</b> | 243 | 45,5 | 43 | 0,5  |
| 125-150 | <b>HLA.F0714.340</b> | 340 | 45,5 | 51 | 0,6  |
| 200     | <b>HLA.F0717.340</b> | 340 | 45,5 | 51 | 0,6  |
| 250-300 | <b>HLA.F1222.500</b> | 500 | 77,5 | 40 | 2,2  |

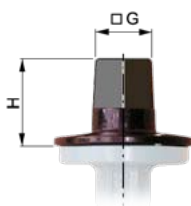
Polyamide PA 6, 30% glass fibers reinforced

| DN      |                      | A   | B    | C  | [kg] |
|---------|----------------------|-----|------|----|------|
| 25-40   | <b>HLP.F0708.240</b> | 243 | 45,5 | 41 | 0,3  |
| 50-65   | <b>HLP.F0711.240</b> | 243 | 45,5 | 41 | 0,3  |
| 80-100  | <b>HLP.F0711.240</b> | 243 | 45,5 | 43 | 0,3  |
| 125-150 | <b>HLP.F0714.340</b> | 340 | 45,5 | 51 | 0,5  |
| 200     | <b>HLP.F0717.340</b> | 340 | 45,5 | 51 | 0,5  |

Aluminium, Epoxy coated

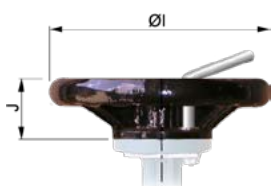
| DN      |                      | A   | [kg] |
|---------|----------------------|-----|------|
| 25-40   | <b>HRA.F0708.180</b> | 180 | 0,4  |
| 50-65   | <b>HRA.F0711.180</b> | 180 | 0,4  |
| 80-100  | <b>HRA.F0711.250</b> | 250 | 0,5  |
| 125-150 | <b>HRA.F0714.340</b> | 340 | 0,6  |
| 200     | <b>HRA.F0717.340</b> | 340 | 0,6  |

### Plumber square (DN25-200)



| DN      |                    | G  | H  |
|---------|--------------------|----|----|
| 25-40   | <b>PO.F0708.30</b> | 30 | 65 |
| 50-100  | <b>PO.F0711.30</b> | 30 | 65 |
| 125-150 | <b>PO.F0714.30</b> | 30 | 65 |
| 200     | <b>PO.F0717.30</b> | 30 | 65 |

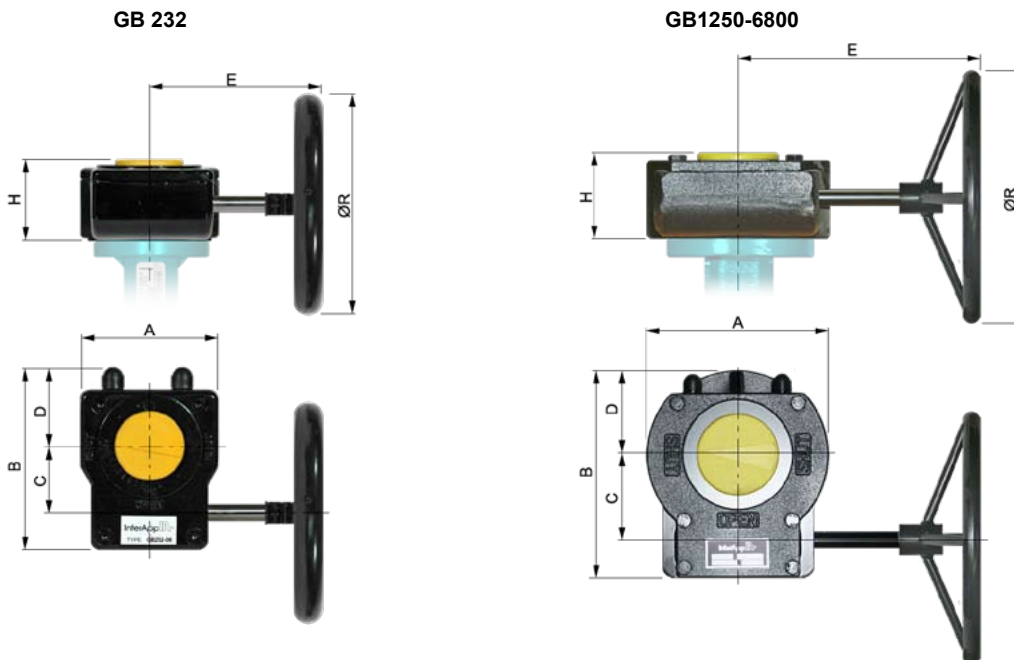
### Handwheel (DN25-150)



| DN      |                     | I   | J  |
|---------|---------------------|-----|----|
| 25-40   | <b>HW.F0708.200</b> | 200 | 52 |
| 50-100  | <b>HW.F0711.200</b> | 200 | 52 |
| 125-150 | <b>HW.F0714.250</b> | 250 | 52 |

## Dimensions

### Gearbox



For liquids 20°C - 80°C , p<sub>max</sub> DN25-300 ...16 bar, DN350-1600 ... 10 bar

| DN      |                             | A   | B     | C    | D     | E   | H   | ØR  | n*    | [kg] |
|---------|-----------------------------|-----|-------|------|-------|-----|-----|-----|-------|------|
| 25-40   | GB232-05.F05-F0711.100(R08) | 80  | 114   | 42,5 | 48    | 121 | 53  | 100 | 10    | 0,8  |
| 50-100  | GB232-05.F05-F0711.100      | 80  | 114   | 42,5 | 48    | 121 | 53  | 100 | 10    | 0,8  |
| 125-150 | GB232-05.F05-F0714.100      | 80  | 114   | 42,5 | 48    | 121 | 53  | 100 | 10    | 0,8  |
| 200     | GB232-06.F05-F0717.160      | 80  | 114   | 42,5 | 48    | 180 | 59  | 160 | 10    | 0,9  |
| 250-300 | GB232-08.F07-F1022.250      | 100 | 131   | 50   | 56    | 216 | 67  | 250 | 9,25  | 1,55 |
| 350     | GB232-13.F10-F1222.300      | 175 | 209   | 80   | 83    | 361 | 84  | 300 | 10    | 5,4  |
| 400     | GB232-13.F10-F1227.500      | 175 | 209   | 80   | 83    | 396 | 84  | 500 | 10    | 5,4  |
| 450     | GB232-14.F1445.600          | 175 | 209   | 80   | 83    | 396 | 84  | 600 | 10    | 5,4  |
| 500     | GB1250N.F1445.500           | 220 | 258   | 105  | 110   | 347 | 100 | 500 | 13,75 | 22   |
| 600     | GB1250N.F1665.700-SH100     | 220 | 258   | 105  | 110   | 447 | 100 | 700 | 13,75 | 22   |
| 700     | GB1950N/HR.F2570.600        | 285 | 402,5 | 211  | 142,5 | 387 | 155 | 600 | 21    | 32   |
| 750     | GB1950N/HR.F2570.700-SH100  | 285 | 402,5 | 211  | 142,5 | 487 | 155 | 600 | 21    | 32   |
| 800     | GB1950N/HR.F2570.700-SH100  | 285 | 402,5 | 211  | 142,5 | 487 | 155 | 700 | 21    | 32   |
| 900     | GB6800N/SP4.F3080.500       | 370 | 482   | 263  | 170   | 500 | 160 | 500 | 79,25 | 70   |
| 1000    | GB6800N/SP4.F3080.500       | 370 | 482   | 263  | 170   | 500 | 160 | 500 | 79,25 | 70   |
| 1100    | GB6800N/SP4.F3080.500       | 370 | 482   | 263  | 170   | 500 | 160 | 500 | 79,25 | 70   |
| 1200    | GB6800N/SP4.F30100.500      | 370 | 482   | 263  | 170   | 500 | 160 | 500 | 79,25 | 70   |
| 1400    | GBA250G/SP9.F30120.800      | 510 | 725   | 431  | 235   | 629 | 169 | 800 | 176   | 225  |
| 1600    | GBA250G/SP9.F35130.800      | 510 | 725   | 431  | 235   | 629 | 169 | 800 | 176   | 225  |

\* n = Handwheel turns ON/OFF



Material:

GB232 : Aluminium, Polyurethan coated

GB880-GB6800 : Cast iron, Polyurethan coated

## Further documentation

**Pneumatic actuators, Electric actuators, Accessories** according separate data sheets.  
**Installation guide, Maintenance guide, Flanges:** Please consult these guides for the installation and maintenance of our butterfly valves.


**Konformitätserklärung DGRL 97/23/CE**  
*Declaration of Conformity PED 97/23/CE*


**Hersteller**  
*Manufacturer* **InterApp-Valcom SA**  
 Calderon de la Barca 12-14  
 28860 Paracuellos de Jarama  
 España

Wir erklären, dass die nachfolgend aufgeführten Armaturen die Sicherheitsanforderungen der Druckgeräterichtlinie 97/23/EG erfüllen.  
 We declare that the valves listed below comply with the requirements of the Pressure Equipment Directive 97/23/EC.

**Beschreibung der Armaturen**  
*Description: Butterfly Valve* - Desponia DN 32 – 1400  
 - Desponia plus DN 32 – 600

**Einstufung der Armatur**  
*Classification of the valves* **Absperklappen / Butterfly valves** Desponia DN 32- DN 1400  
 Absperklappen / **Butterfly valves** Desponia plus DN 32-600

| Fluide Gruppe 1 / Fluids group 1 |                         | Fluide Gruppe 2 / Fluids group 2 |
|----------------------------------|-------------------------|----------------------------------|
| Gase / Gases                     | Flüssigkeiten / Liquids | Gase / Gases                     |
| DN25/32-150 PN 2.5-20            | DN300 PN20              | DN200 PN20                       |
| DN200 PN2.5-16                   | DN350-500 PN16-20       | DN250 PN16-20                    |
| DN250-350 PN2.5-10               | DN600-800 PN10-20       | DN300 PN16                       |
|                                  | DN600-1200 PN 6-20      | DN400-500 PN2.5-10               |
|                                  | DN 1400 PN 2.5-20       | DN600-800 PN2.5-6                |
|                                  |                         | DN900-1400 PN2.5                 |

**Konformitätsbewertungsverfahren**  
*Conformity Assessment Procedure* Module A1

**Benannte Stelle für die Kontrolle**  
*Notified Body for the Inspection* TÜV International Group TÜV Rheinland, S.L. - N° 1027

**Adresse**  
*Address* Avenida de Burgos, 114 3ª Planta 28050-Madrid


**Zertifikatsnummer**  
*Certificate number* DEP.A1.000336

**Angewendete Normen**  
*Technical Standards used* EN 593; EN 1561; EN 1563; etc

Armaturen ≤ DN 25 fallen unter der DGR 97/23/EG Art. 3.3 und dürfen nicht mit dem CE-Kennzeichen markiert sein. Valves ≤ DN 25 comply with the PED 97/23/CE Art. 3.3 and are therefore not allowed to be CE-labelled.

Eine auftragsbezogene Konformitätserklärung wird auf Wunsch ausgestellt.  
 An order related conformity declaration will be issued on request.

**für die Bevollmächtigte Vertretung**  
*Authorised Person for the Manufacturer* Managing Director

Michel Heri  Unterschrift:  
*(Name)* *(Signature)* Datum: 30.05.2008  
*(Date)*

**InterApp AG**  
 Grundstrasse 24  
 CH-6343 Rotkreuz  
 Phone +41 (0) 41 798 22 33  
 Fax +41 (0) 41 798 22 34  
 info@ch.interapp.net

**InterApp Germany**  
 Hochsträss 3  
 D-78727 Oberdorf am Neckar  
 Phone +49 (0) 771 896 689 30  
 Fax +49 (0) 771 896 689 35  
 info@de.interapp.net

**InterApp Austria**  
 Kolpingstrasse 19  
 A-1230 Wien  
 Phone +43 (0) 1 616 2371-0  
 Fax +43 (0) 1 616 2371-99  
 info@at.interapp.net

**InterApp Italy**  
 Via Gramsci 29  
 I-20016 Pero (MI)  
 Phone +39 02 33 93 71  
 Fax +39 02 33 93 7200  
 info@it.interapp.net

**InterApp Spain**  
 Juan Ramón Jiménez, 16  
 E-28860 Paracuellos de Jarama  
 Phone +34 (0) 91 658 48 83  
 Fax +34 (0) 91 658 14 30  
 info@es.interapp.net

**InterApp France**  
 La Picoterie  
 F-14400 Arganchy  
 Phone +33 (0) 67 436 61 34  
 Fax +33 (0) 23 121 18 95  
 info@fr.interapp.net

**InterApp Hungary**  
 Bécsi út 100  
 H-1034 Budapest  
 Phone +36 (1) 436 97 02  
 Fax +36 (1) 436 97 00  
 info@hu.interapp.net

The technical data are noncommittal and do not assure you of any properties. Please refer to our general sales conditions. Modifications without notice.

© 2009 InterApp AG, all rights reserved