

## Description

Double eccentric butterfly valve in 3 variations of sealing

- **TG** with PTFE+25% glass fibre seat
- **TI** Fire Safe
- **IN** with metal seat

Application fields: industrial and petrochemical range

## Product features

- Body construction E1 Wafer, E3 Lug
- Face to face dimension according to ISO 5752/20, EN558-1/5, BS 5155/4
- Top flange according to EN ISO 5211
- Rating PN10/16/25/40, ANSI cl. 150  
ANSI cl. 300 (DN50-300)
- Tightness **TG/TI**: Gas tightness according to EN 12266-1/P12 leakage rate A  
**IN**: Gas tightness according to DIN3230 leakage rate 3
- ATEX option Execution according to ATEX 94/9/EC, Zone 1 and 21 – Gr II, Cat. 2 G/D



The butterfly valves ELARA meet the safety requirements of the pressure Equipments Directive 97/23/EC (PED) appendix 1 for fluids of the groups 1 and 2.



E1

E3

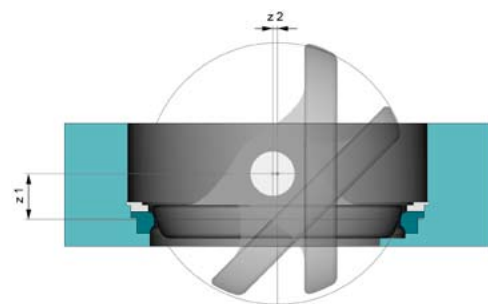


### Double eccentric function:

The ELARA is a double eccentric butterfly valve. The double eccentricity results from

- Offset of the disc to the shaft (z 1) and
- Offset of the disc centre to the shaft (z 2).

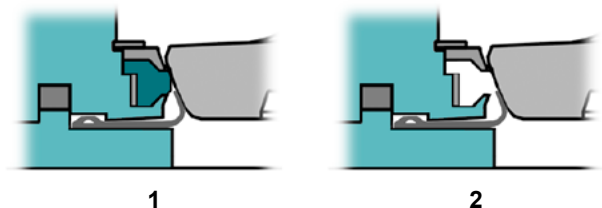
Consequently, when opening, the disc is immediately disengaged from the seat and thus, the friction and the torque remain very low.



### Fire Safe function:

According to BS 6755 part 2  
(Bureau Veritas - approval no. AIX3P00.0620J.3A)

- 1 Under normal working conditions, the tightness is done by the **PTFE seat ring**.
- 2 In case of fire, the PTFE seat ring is destroyed and the tightness is ensured by the **metal seat ring**.

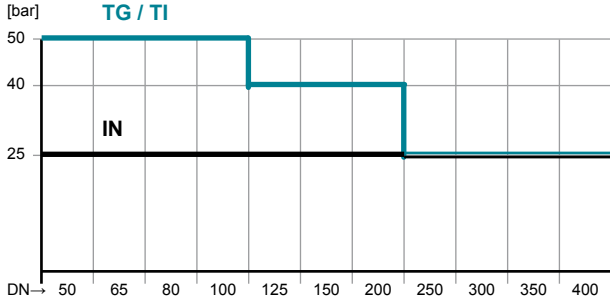


1

2

## Product features

### Max. working pressure:



### Flow values $k_v$ [m³/h]:

DN	50	65	80	100	125	150	200	250	300	350	400
<b>k<sub>v</sub></b>	87	148	320	456	750	1125	1950	3100	4500	6100	8600

### Torques [Nm]:

#### TG with PTFE seal

DN	50	65	80	100	125	150	200	250	300	350	400
<b>16bar</b>	25	35	40	55	110	140	220	470	650	850	1000
<b>25bar</b>	30	40	45	65	120	160	260	650	900	1150	1400
<b>40bar</b>	35	45	60	85	150	225	376	-	-	-	-
<b>50bar</b>	35	45	60	85	-	-	-	-	-	-	-

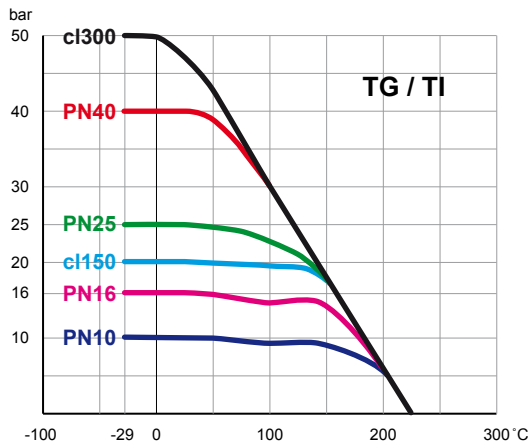
#### TI Fire Safe IN with metal seat

DN	50	65	80	100	125	150	200	250	300	350	400
<b>16bar</b>	50	70	100	150	220	210	330	776	1215	1686	2793
<b>25bar</b>	50	70	100	150	220	290	450	1145	1825	2540	4249

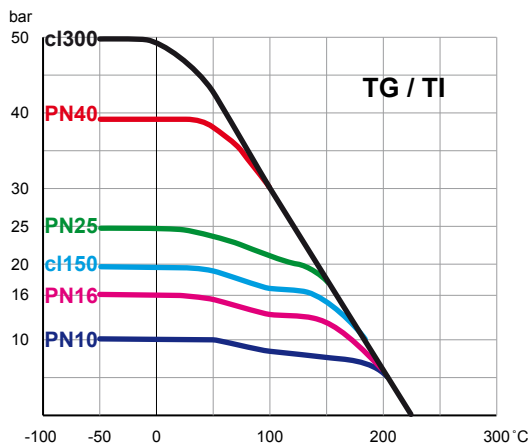
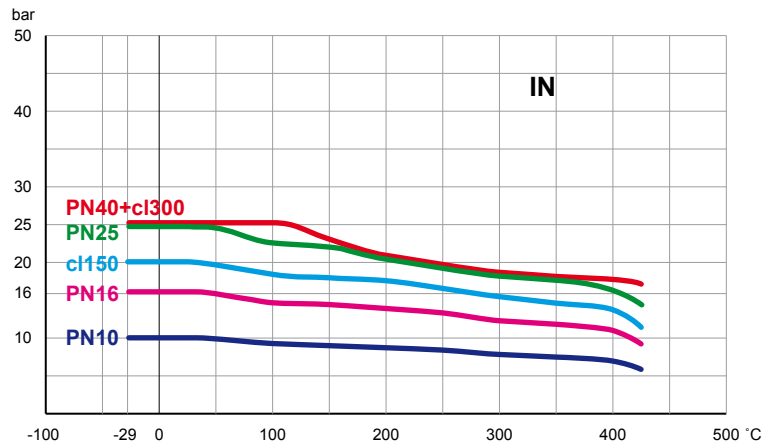
#### TI Fire Safe

DN	50	65	80	100	125	150	200	250	300	350	400
<b>40bar</b>	65	90	130	200	280	400	650	-	-	-	-
<b>50bar</b>	65	90	130	200	-	-	-	-	-	-	-

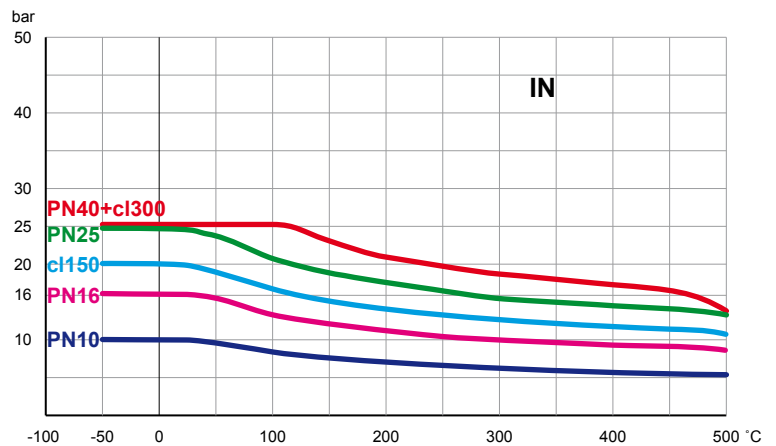
### Pressure / temperature:



#### Steel body (3HD)



#### Stainless steel body (4C0)



## Type code

E1C 0150 . 6 B . 3HD . 4A . 4A0 . TG - ATEX

① ② ③ ④ ⑤ ⑥ ⑦ ⑧ ⑨

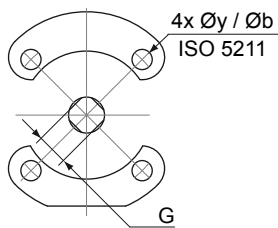
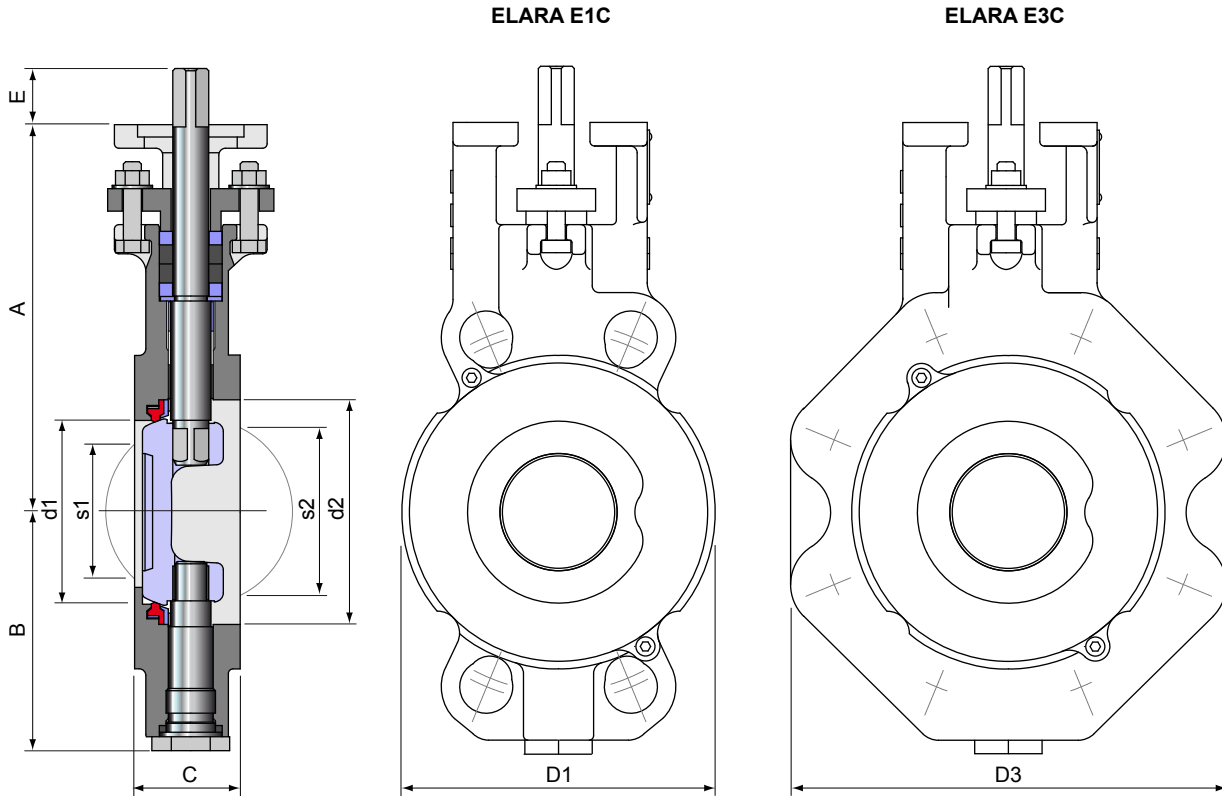
①	Body type	E1C	Wafer	DN50-400
		E3C	Lug	DN50-400
②	Nominal diameter	050-400	mm	
③	Working pressure	2	10 bar	DN50-400
		3	16 bar	DN50-400
		4	20 bar	DN50-400
		5	25 bar	DN50-400
		6	40 bar	DN50-200
		7	50 bar	DN50-100
④	Rating	for E1C (Wafer)		
		B	PN 10 / 16 / 25 / 40 / ANSI cl.150 / ANSI cl.300	DN 50-300
		6	PN 10 / 16 / 25 / 40 / ANSI cl.150	DN 350-400
		for E3C (Lug)		
		2	PN 10	DN 200-400
		3	PN 10 / 16	DN 50-150
			PN 16	DN 200-400
		A	ANSI cl.150	DN 50-400
		5	PN 25	DN 200-400
		6	PN 25 / 40	DN 50-150
PN 40	DN 200-400			
B	ANSI cl.300 (~50bar)	DN 50-300		
⑤	Body	3HD	Cast steel 1.0625, A216WCB, SODOX coated	
		4C0	Stainless steel 1.4408, A351CF8M	
⑥	Shaft	4A	Stainless steel 1.4021 (mit Stahlgussgehäuse 3HD)	
		4T	Stainless steel 1.4462 (mit Edelstahlgehäuse 4C0)	
⑦	Disc	4C0	Stainless steel 1.4408, A351CF8M (with body 3HD und 4C0)	DN 50-125
			Stainless steel 1.4408, A351CF8M (with stainless steel body 4C0)	DN 150-400
		4A0	Stainless steel 1.4021 (with cast steel body 3HD)	DN 150-400
⑧	Seat	TG	PTFE with 25% glass fibre	DN 50-400
		TI	Fire Safe	DN 50-400
		IN	Stainless steel	DN 50-400
⑨	ATEX option	ATEX	Execution according to ATEX 94/9/EC, Zone 1 and 21 – Gr II, Cat. 2 G/D	

Mounting the valve at the end of a line on request

Pressure and temperature limits of application are dependent of the working conditions

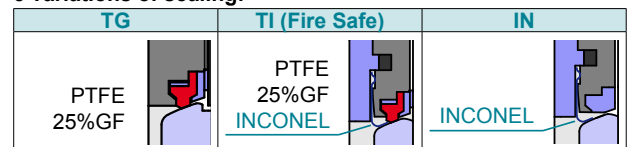
Dimensions

ELARA DN 50 - 125



Body	<b>3HD</b>	Cast steel 1.0625 / A216WCB	<b>4C0</b>	Stainless steel 1.4408 / A351CF8M
Shaft	<b>4A</b>	Stainless steel 1.4021	<b>4T</b>	Stainless steel 1.4462
Disc	<b>4C0</b>	Stainless steel 1.4408	<b>4C0</b>	Stainless steel 1.4408

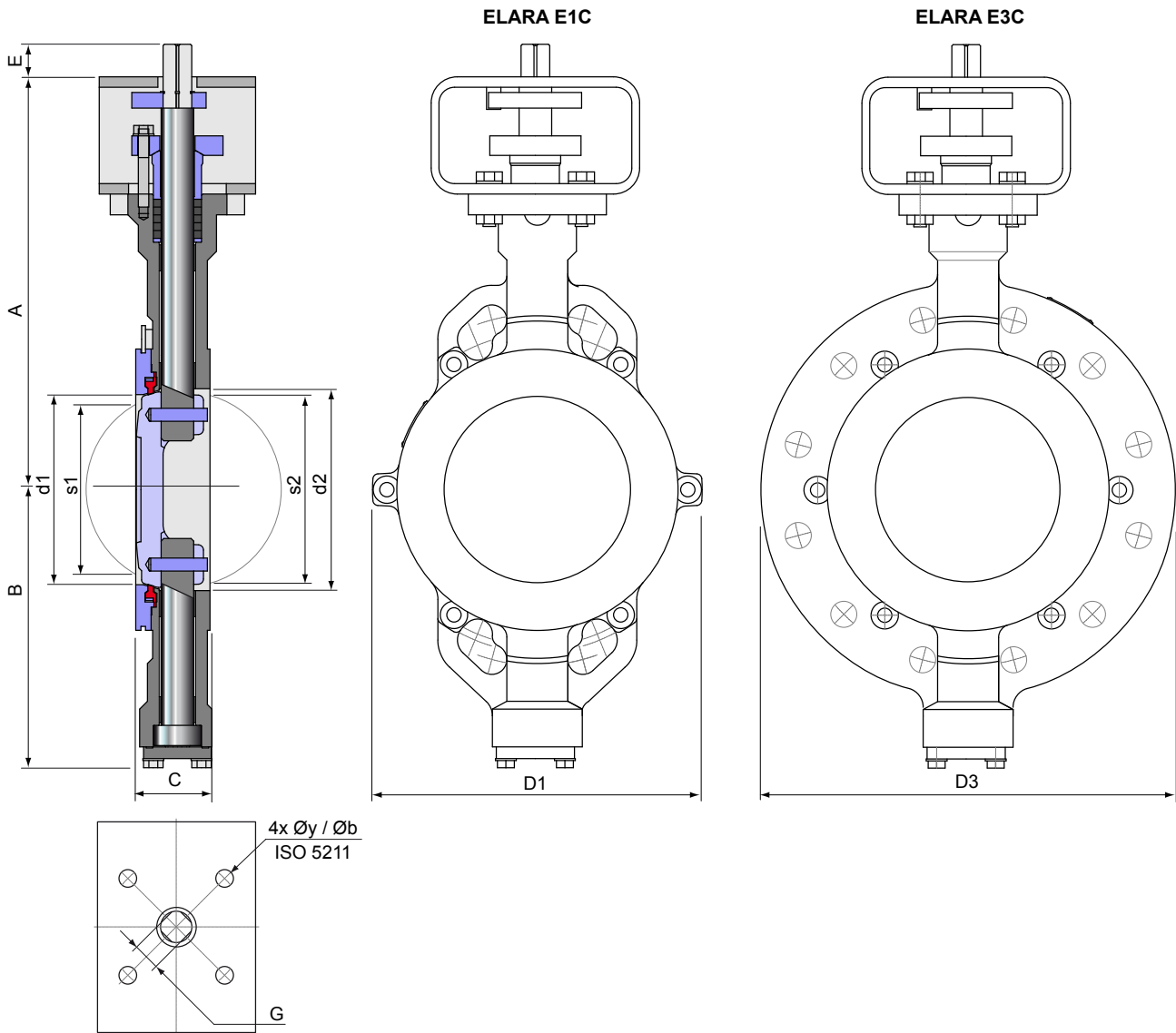
3 variations of sealing:



DN	d1	d2	A	B	C	D1	D3	(TG)		(TI, IN)		E	G	ISO5211	y	b	E1C	E3C
								S1	S2	S1	S2						[kg]	[kg]
50	48	68	163	93	44	105	154	12	32	0	41	19	14	F07	9	70	5,3	7,5
65	64	82	170	100	47	125	178	47	58	38	63	19	14	F07	9	70	6,0	9,2
80	80	100	174	106	47	140	196	64	68	55	73	19	14	F07	9	70	7,0	10,3
100	101	123	206	123	53	163	225	84	88	77	93	19	14	F07	9	70	8,7	12,4
125	121	146	215	137	57	193	260	112	117	105	121	19	14	F07	9	70	12,0	16,7

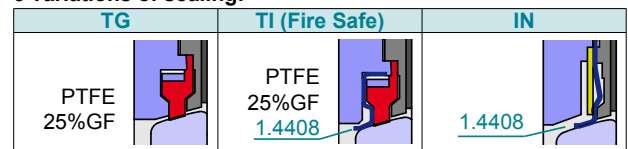
Dimensions

ELARA DN 150 - 200



Body	<b>3HD</b>	Cast steel 1.0625 / A216WCB	<b>4C0</b>	Stainless steel 1.4408 / A351CF8M
Shaft	<b>4A</b>	Stainless steel 1.4021	<b>4T</b>	Stainless steel 1.4462
Disc	<b>4A0</b>	Stainless steel 1.4021	<b>4C0</b>	Stainless steel 1.4408

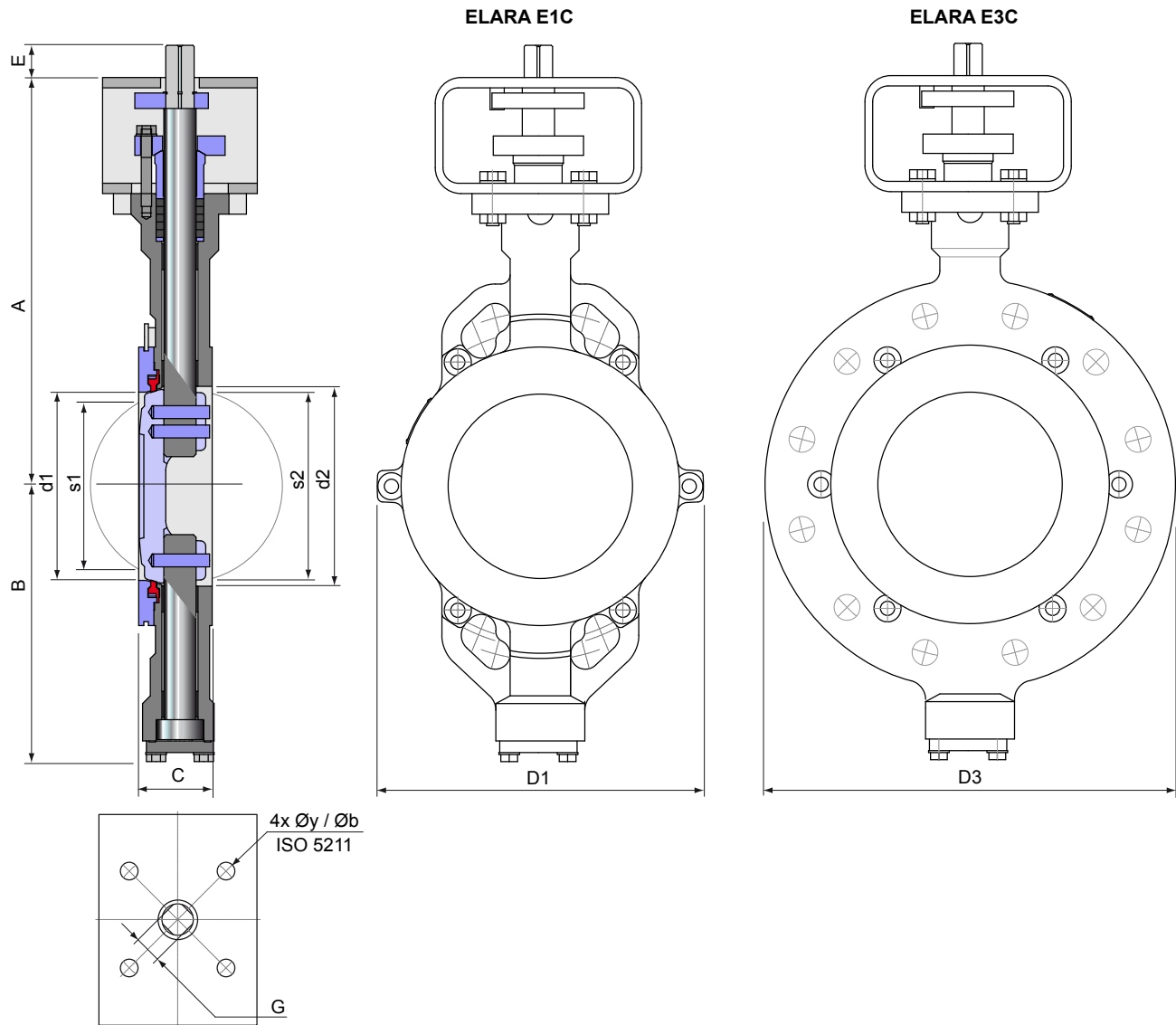
3 variations of sealing:



DN	d1	d2	A	B	C	D1	D3	(TG)		(TI, IN)		E	G	ISO5211	y	b	E1C	E3C
								S1	S2	S1	S2						[kg]	[kg]
150	146	155	317	214	56	216	318	137	143	134	146	25	17	F10	11	102	21	28
200	194	204	349	246	60	270	381	189	194	186	196	25	17	F10	11	102	29	41

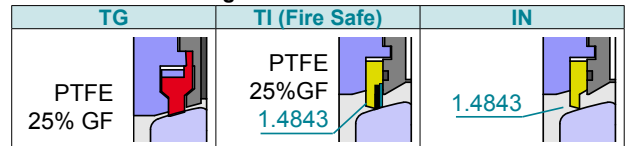
Dimensions

ELARA DN 250 - 400



Body	<b>3HD</b>	Cast steel 1.0625 / A216WCB	<b>4C0</b>	Stainless steel 1.4408 / A351CF8M
Shaft	<b>4A</b>	Stainless steel 1.4021	<b>4T</b>	Stainless steel 1.4462
Disc	<b>4A0</b>	Stainless steel 1.4021	<b>4C0</b>	Stainless steel 1.4408

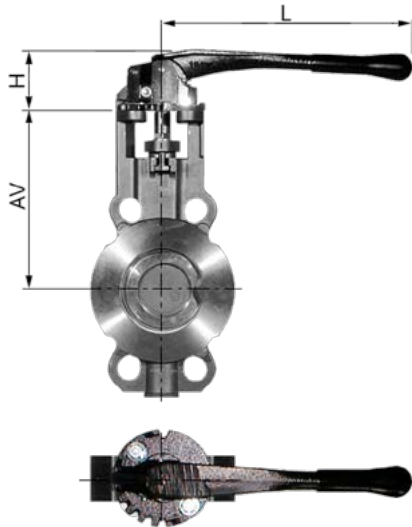
3 variations of sealing:



DN	d1	d2	A	B	C	D1	D3	(TG)		(IN)		E	G	ISO5211	y	b	E1C [kg]	E3C [kg]
								S1	S2	S1	S2							
250	241	242	395	275	69	348	450	229	238	229	238	35	22	F12	13	125	46	70
300	289	309	460	313	79	393	521	278	286	278	286	45	27	F14	17	140	67	105
350	323	342	508	355	92	448	577	305	313	305	313	45	27	F16	22	165	91	140
400	385	405	556	402	103	542	657	344	356	344	356	58	36	F16	22	165	132	211

## Dimensions

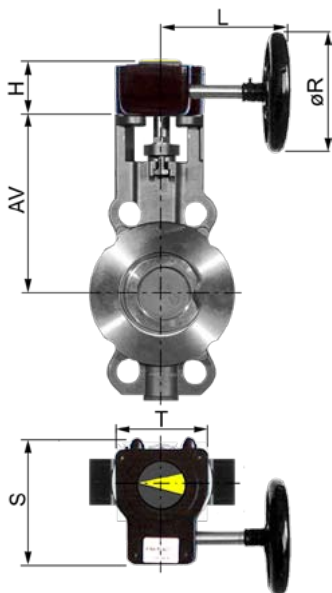
### Handlever:



DN		pmax[bar]	AV	H	L	[kg]*
50	HLG.F0714.260-E.C	50	162,5	66	260	1,2
65	HLG.F0714.260-E.C	50	169,5	66	260	1,2
80	HLG.F0714.260-E.C	25	173,5	66	260	1,2
100	HLG.F0714.260-E.C	25	205,5	66	260	1,2
125	HLG.F0714.350-E.C	20	215,0	66	350	1,6

\* [kg] weight without butterfly valve

### Gearbox:



#### TG with PTFE seal

DN		pmax [bar]	AV	H	L	R	S	T	n**	[kg]*
50	GB232-05.F05-F0714.100	50	163	53	121	100	114	80	10	0,8
65	GB232-05.F05-F0714.100	50	170	53	121	100	114	80	10	0,8
80	GB232-05.F05-F0714.100	50	174	53	121	100	114	80	10	0,8
100	GB232-05.F05-F0714.100	50	206	53	121	100	114	80	10	0,8
125	GB232-06.F05-F0714.160	40	215	59	179	160	131	80	10	0,9
150	GB232-08.F07-F1017.250	40	317	67	209	250	131	100	9,25	1,55
200	GB232-08.F07-F1017.250	40	349	67	209	250	131	100	9,25	1,55
250	GB232-13.F10-F1222.300	25	395	84	361	300	209	175	10	5,4
300	GB232-13.F1427.400	25	460	84	376	400	209	175	10	5,4
350	GB880N-F1627.500	25	508	92	315	500	227	200	9,5	14
400	GB880N-F1636.600	25	556	92	315	600	227	200	9,5	14

#### TI Fire Safe

#### IN with metal seat

DN		pmax [bar]	AV	H	L	R	S	T	n**	[kg]*
50	GB150N.F05-F0714.160	25	163	52	134	160	124	80	10	2,2
65	GB150N.F05-F0714.160	25	170	52	134	160	124	80	10	2,2
80	GB150N.F05-F0714.160	25	174	52	134	160	124	80	10	2,2
100	GB215N.F07-F1014.160	25	206	64	193	160	143	125	9,25	3,5
125	GB215N.F07-F1014.160	25	215	64	193	160	143	125	9,25	3,5
150	GB215N.F07-F1017.160	25	317	64	193	160	143	125	9,25	3,5
200	GB215N.F07-F1017.250	25	349	64	208	250	143	125	9,25	3,5
250	GB880N.F1222.500	25	395	92	315	500	227	200	9,5	14
300	GB1250N.F1427.500	25	460	101	356	500	258	220	13,75	22
350	GB1950N/HR.F1627.500	25	508	123	397	500	323	285	21	32
400	GB1950N/SP4.F1636.400	25	556	155	437	400	403	285	52	45

\* [kg] weight without butterfly valve

\*\* n = Handwheel turns ON/OFF

## Further documentation

---

**Pneumatic actuators, Electric actuators, Accessories** according separate data sheets.

**Installation guide, Maintenance guide, Flanges:** Please consult these guides for the installation and maintenance of our butterfly valves.

**InterApp AG**  
Grundstrasse 24  
CH-6343 Rotkreuz  
Phone +41 (0) 41 798 22 33  
Fax +41 (0) 41 798 22 34  
info@ch.interapp.net

**InterApp Germany**  
Hochsträss 3  
D-78727 Oberndorf am Neckar  
Phone +49 (0) 771 896 689 30  
Fax +49 (0) 771 896 689 35  
info@de.interapp.net

**InterApp Austria**  
Kolpingstrasse 19  
A-1230 Wien  
Phone +43 (0) 1 616 2371-0  
Fax +43 (0) 1 616 2371-99  
info@at.interapp.net

**InterApp Italy**  
Via Gramsci 29  
I-20016 Pero (MI)  
Phone +39 02 33 93 71  
Fax +39 02 33 93 7200  
info@it.interapp.net

**InterApp Spain**  
Juan Ramón Jiménez, 16  
E-28860 Paracuellos de Jarama  
Phone +34 (0) 91 658 48 83  
Fax +34 (0) 91 658 14 30  
info@es.interapp.net

**InterApp France**  
La Picoterie  
F-14400 Arganchy  
Phone +33 (0) 67 436 61 34  
Fax +33 (0) 23 121 18 95  
info@fr.interapp.net

**InterApp Hungary**  
Bécsi út 100  
H-1034 Budapest  
Phone +36 (1) 436 97 02  
Fax +36 (1) 436 97 00  
info@hu.interapp.net

The technical data are noncommittal and do not assure you of any properties. Please refer to our general sales conditions. Modifications without notice.

© 2009 InterApp AG, all rights reserved