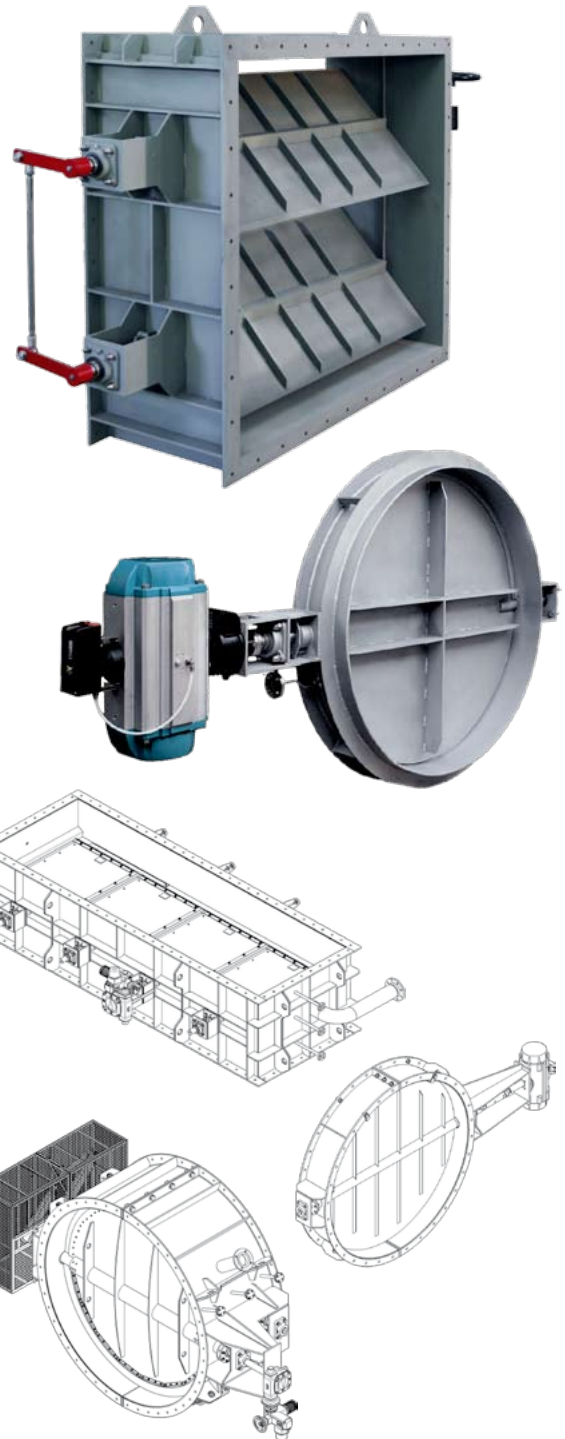


Description

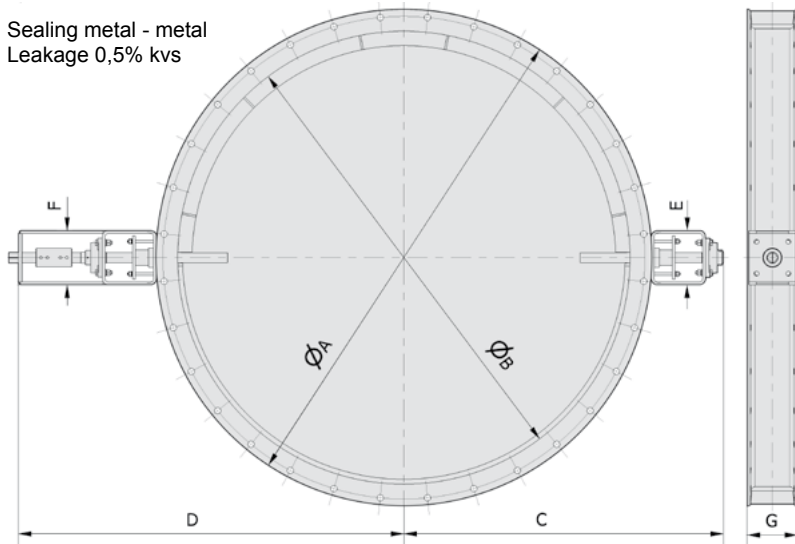
Construction	<p>Flanged damper valve of a welded construction. The materials of body and disc are depending on the required working conditions whereas the shaft is always made of corrosion resistant steel.</p> <p>Ledges ensure that leakage at closed valve does not exceed 0,5% kvs. For higher operating temperatures, bearing and actuator is mounted at an appropriate distance from the valve body.</p> <p>Generally for the standard design, the valves are constructed to be mounted with the shaft in horizontal position. The shaft sealings consist of chokes with graphite strands in compliance with the required operating temperature.</p>
Applications	<p>ON-OFF and and regulating service of gas and air flow for Caloric power plants for black and brown coal FGD installations, electro- and bag filters</p> <p>Metallurgic industry Smelters and processing of iron, steel and non-ferrous metals such as copper, zinc, plumb, aluminium, etc.</p> <p>Chemical industry Soda production plants, sulphuric acid production plants, fertilizer production plants</p> <p>Cement, paper and glas industry</p>
Media	<p>Process gas (with content of SO₂, SO₃)</p> <p>Flue gas from brown coal (lignite) fired boiler (power plants)</p> <p>Flue gas from black coal fired boiler (power plants)</p> <p>Flue gas from soda boiler (chemical industry)</p> <p>Hot vapours from copper, zinc or plumb smelter (metallurgy)</p> <p>Air with cement dust (cement factories)</p> <p>Hot air</p>
Type range	<p>With round or rectangular body shape</p> <p>With single-, double- or tandem blades</p>
Nominal diameters	<p>Round type DN 200 - 3500</p> <p>Rectangular type up to 12000 x 12000 mm according customer requirements</p>
Working pressure	Vacuum pressure 10 kPa up to 25 kPa
Connection	DIN 24154 for round body, DIN 24193 for rectangular body or any other connection according customer requirements
Temperature	Up to 650°C
Sealing / Leakage	<p>Metal - metal max. 0,5% kvs</p> <p>Metal - soft sealing max. 0,1% kvs</p> <p>Flexible metal sealing max. 0,05% kvs</p> <p>Double or tandem blade (metal sealing) with sealing air 100% technologically tight</p>
Materials	Body, disc and shaft material according to customer requirements
Actuators	All kind of actuators and accessories possible (limit switches, solenoid valves, positioners)



Torques ([Nm])	DN	200	250	315	400	500	630	710	800	900	1000	1250	1400	1600	1800	2000
	Md	40	49	58	65	80	145	170	190	240	320	380	510	600	830	1250
Flow values kv [m ³ /h]	30°	220	350	510	860	1300	2000	2700	3500	4500	5500	8100	10400	14200	18700	22100
	60°	1000	1580	2300	3800	6000	8800	12000	15700	20000	24500	36000	45000	65000	82000	101000
	90°	2000	3300	4900	8400	13300	19600	26000	35000	45000	56000	82000	105000	146000	192000	230000

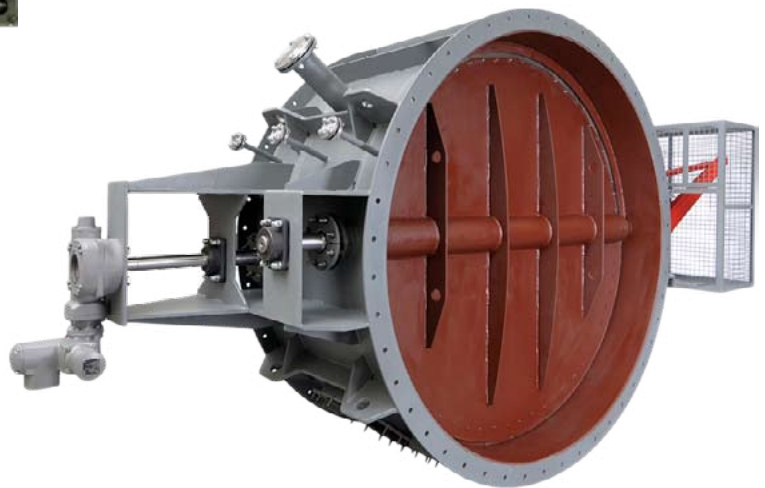
Dimensions

Sealing metal - metal
Leakage 0,5% kvs



DN	A	B	C	D	E	F	G	[kg] *
200	273	203	245	530	140	140	100	22
250	323	253	270	555	140	140	100	26
315	398	318	307	593	140	140	100	29
400	484	404	350	636	140	140	100	35
500	584	504	400	686	140	140	100	43
630	734	634	475	761	140	140	100	56
710	814	714	515	801	140	140	100	74
800	904	804	560	846	140	140	100	81
900	1004	904	610	896	140	140	100	96
1000	1105	1005	660	947	140	140	100	115
1250	1375	1255	805	1070	130	150	140	205
1400	1525	1405	930	1217	200	200	140	310
1600	1725	1605	1030	1317	200	200	140	360
1800	1925	1805	1130	1417	200	200	140	520
2000	2125	2005	1330	1517	200	200	140	600

* The weight varies according to material selection



InterApp AG
Grundstrasse 24
CH-6343 Rotkreuz
Phone +41 (0) 41 798 22 33
Fax +41 (0) 41 798 22 34
info@ch.interapp.net

InterApp Germany
Hochsträss 3
D-78727 Oberndorf am Neckar
Phone +49 (0) 771 896 689 30
Fax +49 (0) 771 896 689 35
info@de.interapp.net

InterApp Austria
Kolpingstrasse 19
A-1230 Wien
Phone +43 (0) 1 616 2371-0
Fax +43 (0) 1 616 2371-99
info@at.interapp.net

InterApp Italy
Via Gramsci 29
I-20016 Pero (MI)
Phone +39 02 33 93 71
Fax +39 02 33 93 7200
info@it.interapp.net

InterApp Spain
Juan Ramón Jiménez, 16
E-28860 Paracuellos de Jarama
Phone +34 (0) 91 658 48 83
Fax +34 (0) 91 658 14 30
info@es.interapp.net

InterApp France
La Picoterie
F-14400 Arganchy
Phone +33 (0) 67 436 61 34
Fax +33 (0) 23 121 18 95
info@fr.interapp.net

InterApp Hungary
Bécsi út 100
H-1034 Budapest
Phone +36 (1) 436 97 02
Fax +36 (1) 436 97 00
info@hu.interapp.net

The technical data are noncommittal and do not assure you of any properties. Please refer to our general sales conditions. Modifications without notice.

© 2009 InterApp AG, all rights reserved