

Valveco

Duo Check Valves

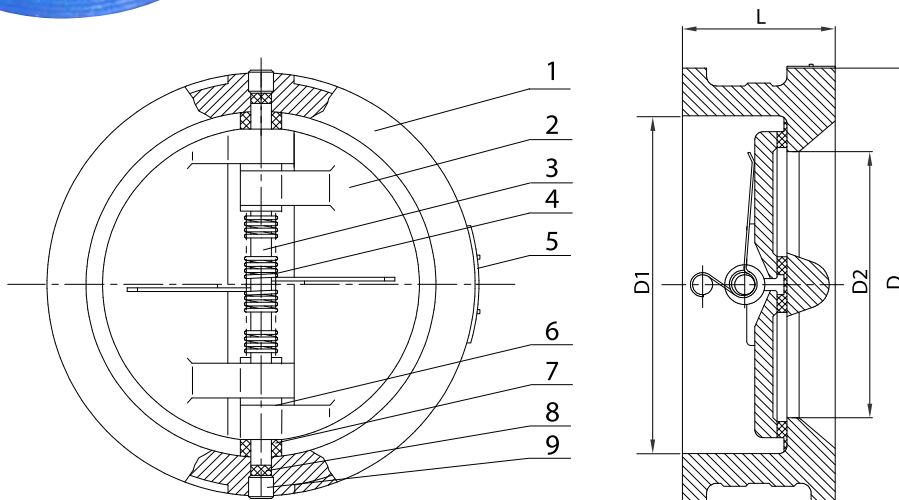
Wafer Body Style

FIG. 715-DCV

Size DN50-DN600
Working Pressure PN16

Features:

- FBE coated internally & externally
- Wafer body style fits between table E flanges
- Upper and lower PTFE thrust washers
- Resilient Buna-N or EPDM seat.
- Dual Plate Valves give maximum strength with minimum opening time.
- Torsion springs assist valve closure, preventing flow reversal.
- Thrust washers reduce friction and wear on valve plate hinges



No	Name of Part	Material
1	Eye Bolt	A193 B7
2	Body	GG20
3	Disc	AISI 316
4	Shaft	AISI 316
5	Spring	AISI 316
6	Washer	PTFE
7	Seat	NBR
8	Gasket	PTFE
9	Hex Nut	A194 2H

Size		L	D	D1	D2	Weight
DN 50	NPS 2"	43	98	65	40	1.5
65	2-1/2"	46	110	80	60	2.1
80	3"	64	128	94	70	3.3
100	4"	64	156	117	88	4.2
125	5"	70	187	145	115	7
150	6"	76	213	170	134	9
200	8"	89	267	224	182	15
250	10"	114	328	265	220	26
300	12"	114	375	310	260	37
350	14"	127	448	360	298	55
400	16"	140	498	410	350	80
450	18"	152	562	450	385	111
500	20"	152	619	505	438	124
600	24"	178	727	624	538	180

Note

The designs, materials, dimensions and specifications shown are subject to change without notice due to our continuing program of product development.