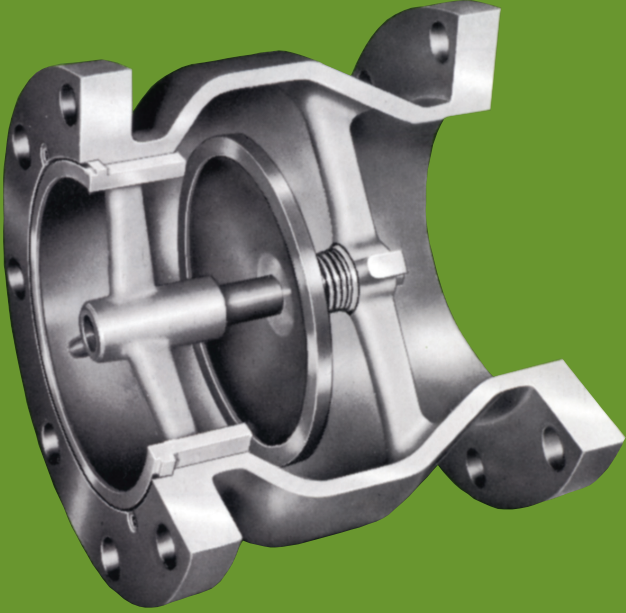


SHHH... SHHH

S HOCK- PROOF PIPING SYSTEMS



1800 SERIES

with **VAL-MATIC®** **GLOBE STYLE Silent Check Valves**

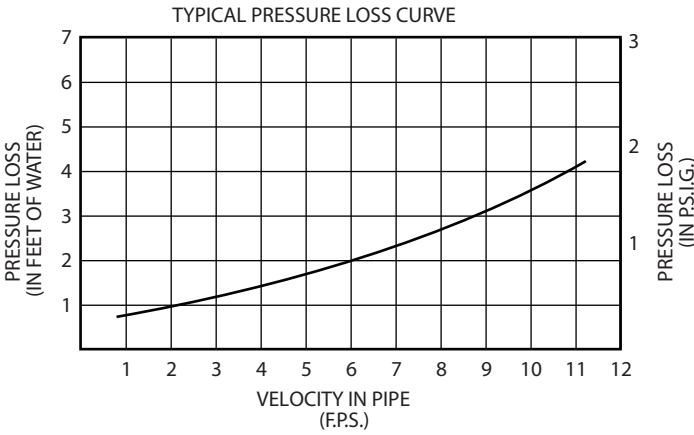
Designed and engineered for Silent operation with Low head loss in a compact wafer body. Specially designed spring controls the closure of Val-Matic Silent Check Valves. . . closing valve disc in advance of flow reversal, thereby reducing the potential for water hammer and damaging shock normally associated with valve shut-off.

Tear-Drop Contour **allows** streamline flow and combined with greater than Pipe Size Area of Inner Body **assures** minimal pressure drop.

VAL-MATIC SILENT CHECK VALVES ARE ENGINEERED FOR SILENT OPERATION / LOW HEAD LOSS Plus . . .

- Double Guided Disc
- Large Bearing Surfaces
- Easily Replaceable Parts
- Functions Equally Well in All Positions
- Replaceable Bronze Bushing
- Drop-Tight Seating
- Cast Iron Body / Bronze or Stainless Steel Trim
- Mate-ability...Sizes 3" thru 10" valves mate to Wafer style butterfly valves without the use of spool pieces or any other adaptors.

- NOTE:**
1. Recommended for Liquid Service Only.
 2. Wafer Style Valves also Available in 2" through 10" . . . See Val-Matic Bulletin 1400.

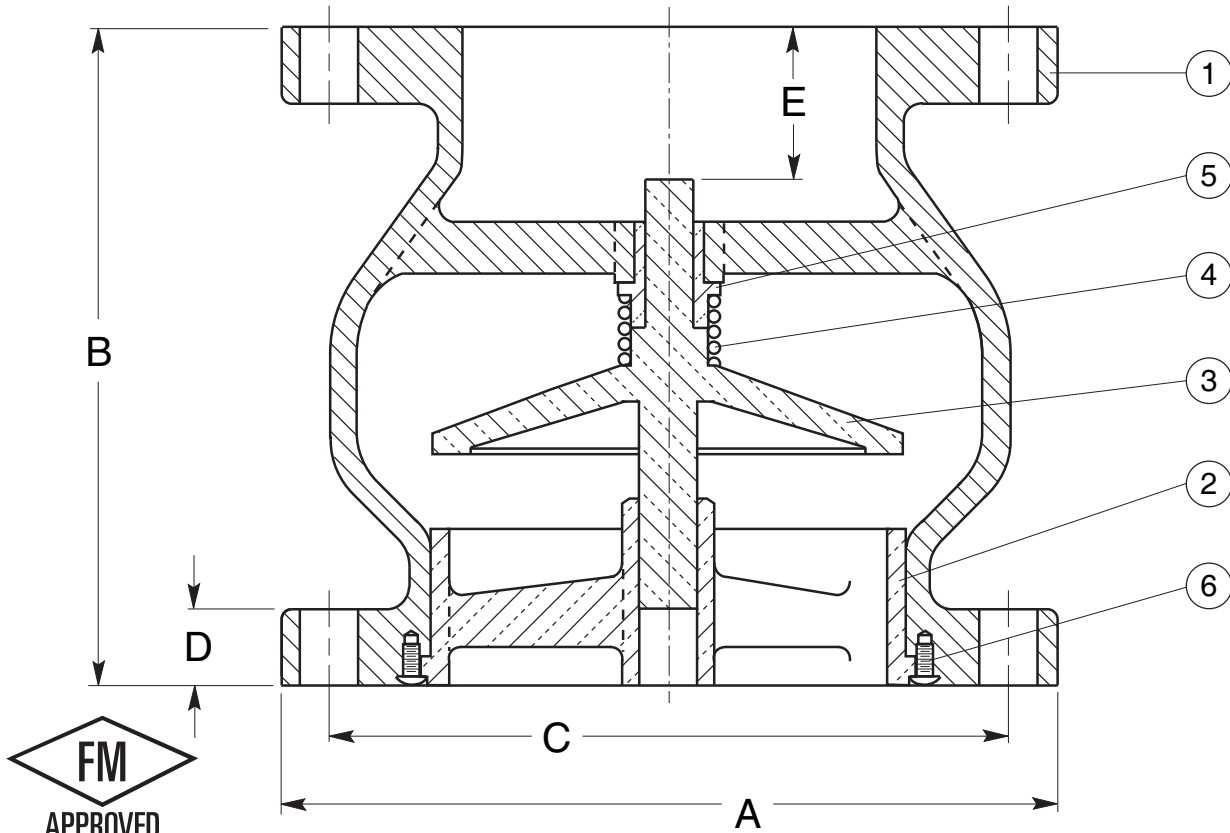


NOTE: For specific valve size pressure loss curve.... See Drawing Number 1404.



VAL-MATIC VALVE & MANUFACTURING CORP.

NOTE: THESE VALVES MATE TO WAFER STYLE BUTTERFLY VALVES WITHOUT THE USE OF SPOOL PIECES OR OTHER ADAPTERS.



SEE DRAWING NO. VM-1802-M FOR STANDARD MATERIALS OF CONSTRUCTION.

ANSI CLASS 125									
VALVE SIZE	MODEL NO.*	CWP (P.S.I.)	A	B	C	D	E	BOLT SIZE	NO. OF BOLTS
2 1/2	1825	200	7	5 1/2	5 1/2	11/16	1	5/8	4
3	1803	200	7 1/2	6	6	15/16	1 3/8	5/8	4
4	1804	200	9	7 1/4	7 1/2	15/16	1 3/4	5/8	8
5	1805	200	10	8 1/2	8 1/2	15/16	2	3/4	8
6	1806	200	11	9 3/4	9 1/2	1	2 1/2	3/4	8
8	1808	200	13 1/2	12 1/2	11 3/4	1 1/8	3 1/4	3/4	8
10	1810	200	16	15 1/2	14 1/4	1 3/16	4 1/4	7/8	12

ANSI CLASS 250									
VALVE SIZE	MODEL NO.*	CWP (P.S.I.)	A	B	C	D	E	BOLT SIZE	NO. OF BOLTS
2 1/2	1875	400	7 1/2	5 1/2		1	1	3/4	8
3	1853	400	8 1/4	6	6 5/8	1 1/8	1 3/8	3/4	8
4	1854	400	10	7 1/4	7 7/8	1 1/4	1 3/4	3/4	8
5	1855	400	11	8 1/2	9 1/4	1 3/8	2	3/4	8
6	1856	400	12 1/2	9 3/4	10 5/8	1 7/16	2 1/2	3/4	12
8	1858	400	15	12 1/2	13	1 5/8	3 1/4	7/8	12
10	1860	400	17 1/2	15 1/2	15 1/4	1 7/8	4 1/4	1	16

* MODEL NUMBERS REFLECT BRONZE TRIM.

Installation Requirements

Refer to drawing SS-974 entitled Silent Check Valve Flange Installation Requirements for mating flanges.



VAL-MATIC VALVE & MANUFACTURING CORP.

905 RIVERSIDE DR. • ELMHURST, IL 60126 • P: 630-941-7600 • F: 630-941-8042
VALVES@VALMATIC.COM • WWW.VALMATIC.COM

Copyright © 2007 Val-Matic Valve & Mfg. Corp.

1800 - 6/07