

Features and Benefits

- Heavy duty Ductile Iron end caps and piston
- Bore sizes 100mm to 300mm
- Stainless Steel tie rods and nuts
- Standard 'BS' O-rings, wipers and seals for easy and inexpensive spares
- Mirror finish fibreglass cylinder barrel for extended seal life
- Australian manufactured
- Able to withstand contaminated air supply
- Manufactured to any stroke length requirement
- Can operate with water pressure as driving medium
- Piston rod gaiter protection as standard
- Supply pressure rated to 700kPa
- ISO standard end connections
- Purpose designed for rugged and corrosive applications (no aluminium), DI end caps baked enamel coated or optional in stainless steel

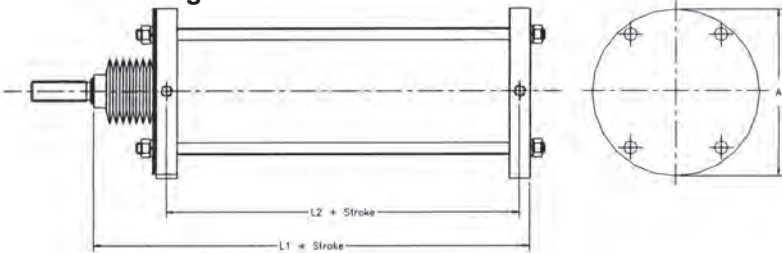


Standard Options

- Centre Trunnions
- Different clevis ends available such as the DART valve shown
- Stainless Steel clevis, trunnions and hinge pins
- Unique economical proximity switch mounting plate for piston position
- Cylinder seal design for modulating service
- Built to any other brand dimensions

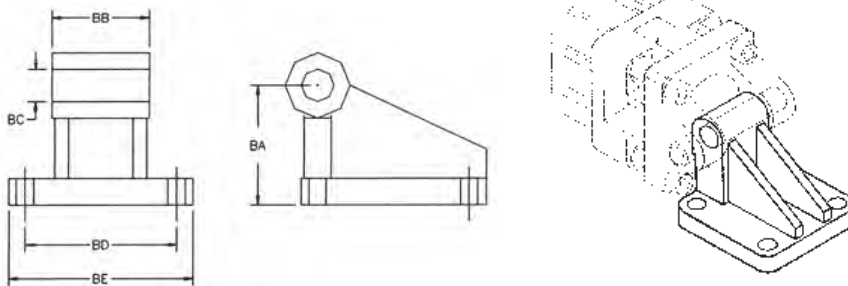


General Arrangement



Cyl Ø	A	L1
100	155	225
150	200	225
200	270	225
250	310	225
300	330 AF	230

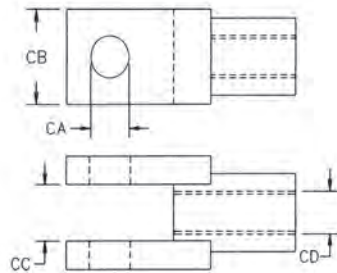
Counter Trunnion at 90°



Cyl Ø	Code
100	TL-19100
150	TL-19150
200	TL-19200
250	TL-19250
300	TL-19300

Counter Trunnion Material - 316SS

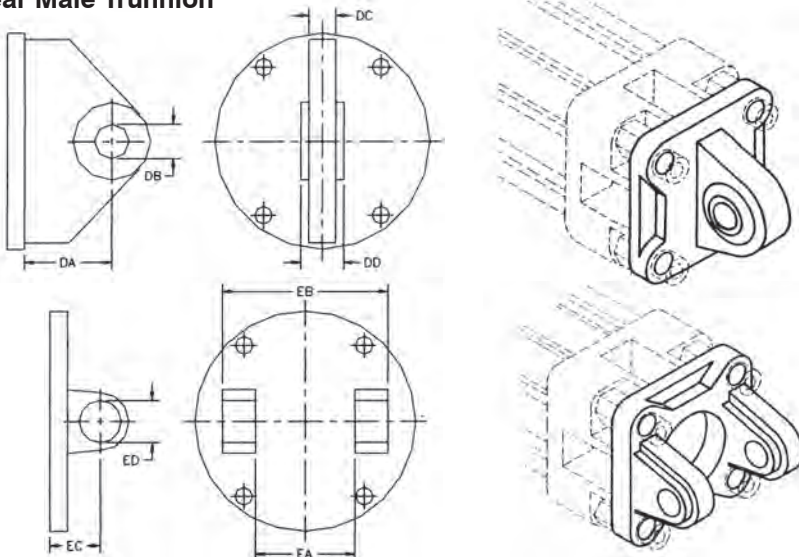
Clevis



Cyl Ø	Code
100	TL-15100
150	TL-15150
200	TL-15200
250	TL-15250
300	TL-15300

Clevis Material - 316SS

Rear Male Trunnion



Cyl Ø	Code
100	TL-11100S
150	TL-11150S
200	TL-11200S
250	TL-11250S
300	TL-11300S

Rear Male Trunnion Material - 316SS

Cyl Ø	Code
100	TL-11100
150	TL-11150
200	TL-11200
250	TL-11250
300	TL-11300

Cyl Ø	BA	BB	BC	BD	BE	CA	CB	CC	CD	DA	DB	DC	DD	EA	EB	EC	ED
100	75	60	20	90	115	20	40	30	3/4 UNC	30	20	20	25	60	110	45	20
150	110	90	30	140	170	30	50	35	1 UNC	80	32	25	40	90	150	50	30
200	145	120	32	170	220	32	50	35	1 UNC	80	32	25	40	120	170	50	32
250	165	150	38	200	250	38	60	40	1 1/4 UNC	100	38	30	50	150	200	70	38
300	175	150	38	200	250	38	60	40	1 1/4 UNC	100	38	30	50	150	200	70	38

Note

The designs, materials, dimensions and specifications shown are subject to change without notice due to our continuing program of product development. Please request a certified drawing if dimensions are critical.