

### V-1 Type - Size: 1/4"-2"



#### Stainless Steel

**AISI-316** (EN10213-4 1.4408)(ASTM-A351-CF8M)

**AISI-314** (EN10213-4 1.4308)(ASTM-A351-CF8)

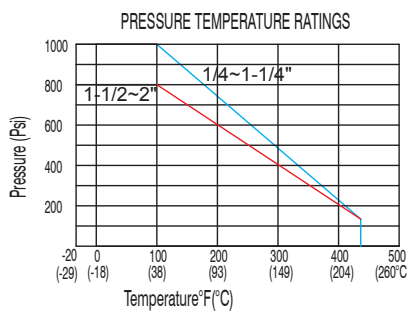
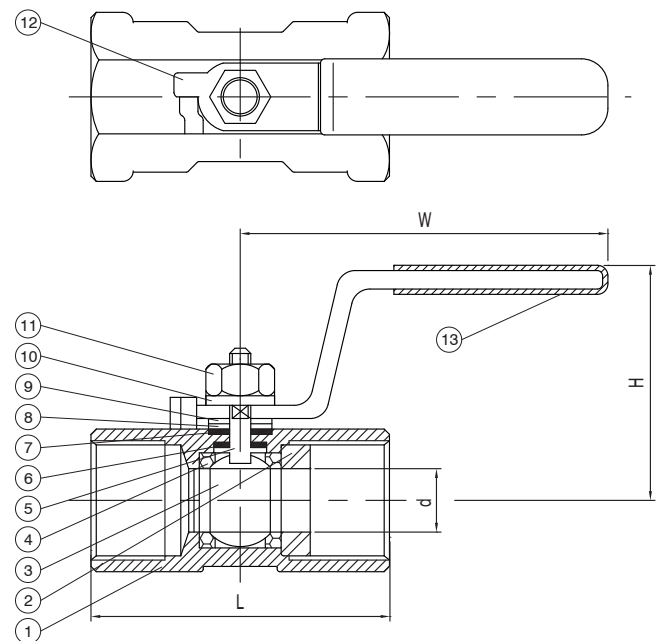
#### Features:

- Pipe thread in accordance with ANSI B2.1, BS 21 1973, DIN 259/2999, ISO 228
- Blow-out proof stem/Reduce port
- Investment casting body and inscrewed
- 800 PSI (55 BAR) W.O.G./1000 PSI (69 BAR) W.O.G.
- Material:ASTM-A351-CF8M, ASTM-A351-CF8

#### Option:

Locking device / Oval Handle / Wing Handle

No	Name of Parts	Material
1	Body	316.WCB
2	Insert	316.WCB
3	Ball	SUS316
4	Seat	PTFE
5	Stem	SUS316
6	Thrust Washer	PTFE
7	Stem Pasher	PTFE
8	Glanknd Washer	SUS304
9	Glanknd Washer	SUS304
10	Spring Washer	SUS304
11	Nut	SUS304
12	Handle	SUS304
13	Handle Sleeve	Vinyl Grip



Nominal	d	d1	L	H	E	S	CV Factor	Torque kgf-cm	KG
1/4"	RC1/4	5	39	36.5	69	17	3.8	12	0.070
3/8"	RC3/8	7.2	44	37.5	79	21	4.0	12	0.102
1/2"	RC1/2	9.2	56.5	40	110	25	4.5	13	0.166
3/4"	RC3/4	12.5	59	45.3	108	31.5	9.0	20	0.247
1"	RC1	15	71	48	112	38	16.0	38	0.412
1-1/4"	RC1-1/4	20	78	53	112	48	24.0	50	0.672
1-1/2"	RC1-1/2	25	83	60.5	157	53	37.0	72	0.838
2"	2	32	100	37.5	155.5	64	68.0	90	1.384

#### Note

The designs, materials, dimensions and specifications shown are subject to change without notice due to our continuing program of product development.