

V-2F Type 150lbs- Size:1/2"-12"



ANSI Class 150 - Stainless Steel

AISI-316 (EN10213-4 1.4408) (ASTM-A351-CF8M)

AISI-314 (EN10213-4 1.4308) (ASTM-A351-CF8)

Carbon Steel

S-20C (EN10213-2 1.0619) (ASTM-A216-WCB)

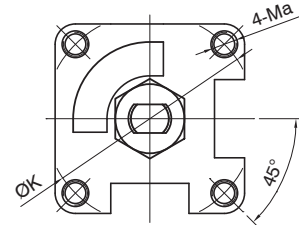
Features:

- Flange: ANSI B16.5 clas 150
- Face to face: ANSI B16.10
- Mounting Pad for ISO5211
- Anti-static device, fire safe design
- Blow-out proof stem, lever operated
- Full port

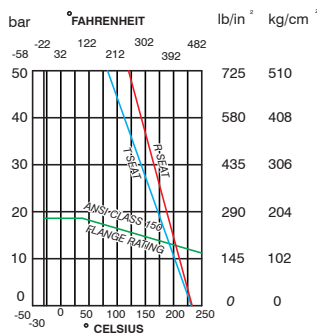
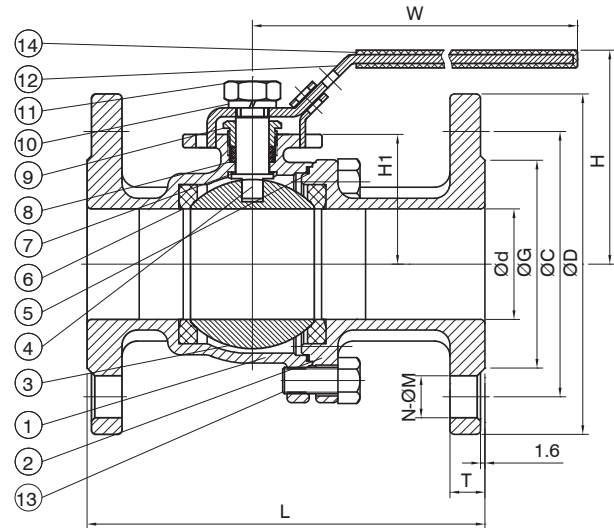
Option:

Solid ball / Hollow ball / Wrench handle / Locking device

No	Name of Parts	Material
1	Body	CF8 CF8M WCB
2	CAP	CF8 CF8M WCB
3	Ball	CF8 CF8M CF8
4	Stem	SS316 SS304 SS304
5	Gasket	PTFE
6	Seat	PTFE
7	Thrust Washer	PTFE
8	Packing	PTFE
9	Gland	SS304
10	Stem Washer	SS304
11	Stem Nut	SS304
12	Handle	SS304
13	Bolt	SS304
14	Plastic Cover	Plastic



11/2"-4"



Size	d	D	C	G	T	N	M	L	H	H1	K	Ma	W
1/2"	15	89	60.5	35	12.1	4	16	108	72	27.7	36	M5	123
3/4"	20	98	70	43	12.1	4	16	117	76	32.1	35	M5	123
1"	25	108	79.5	51	12.1	4	16	127	90	39.3	42	M5	152
1-1/4"	32	117	89	64	12.7	4	16	140	95	44.5	42	M5	152
1-1/2"	38	127	98.5	73	14.3	4	16	165	97	50	70	M8	182
2"	50	152	120.5	92	15.9	4	19	178	105	58.7	70	M8	182
2-1/2"	65	178	139.5	105	17.5	4	19	190	166	99	70	M8	285
3"	80	190	152.5	127	19.1	4	19	203	176	109	102	M10	285
4"	100	229	190.5	157	23.9	8	19	229	189	122	102	M10	285
6"	150	279	241.5	216	25.4	8	22	394	280	-	125	M12	650

Note

The designs, materials, dimensions and specifications shown are subject to change without notice due to our continuing program of product development.